

DETAILS:

Product ID: VIK037 (CHG-HGTWSH)

Description: Square Heavy Glass Wall Mount Hinge

HMI

4795 Shepherdsville Road

Louisville, KY 40218

Tel: 502-969-4059

Fax: 800-313-4195

hmiglass.com

SPECIFICATIONS:

- Glass Thickness: 3/8" (10mm) to 1/2" (12mm) tempered glass
- Material: Solid Forged Brass
- Swing: 90° in and 90° out. Dual degree pivot pin.
- Closing: Self centering and closing from 15°
- Includes: Stainless steel installation hardware, gaskets & allen wrench

MAXIMUM CAPACITIES:

For 3/8" (10mm) and 1/2" (12mm) Glass:

Hinges	Max. Door Weight	Max. Door Width
2	110 lbs. / 49.9 kg.	36" / 914 mm
3	140 lbs. / 63.5 kg.	36" / 914 mm

Do not exceed either max door weight or max door width.

Glass Widths:

3/8" (10mm) glass is 5.05 lbs/sf or 2.30 kg/sf

1/2" (12mm) glass is 6.40 lbs/sf or 2.91 kg/sf

GASKETS:

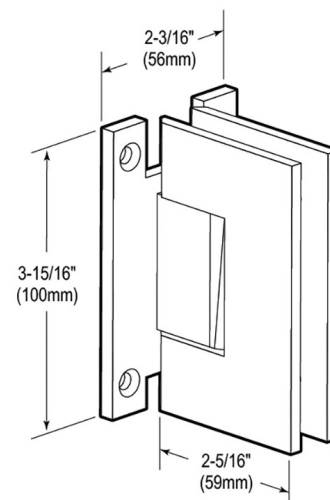
- For 3/8" Glass: Use one thick gasket on each side
- For 1/2" Glass: Use one thin gasket on each side

AVAILABLE FINISHES*:

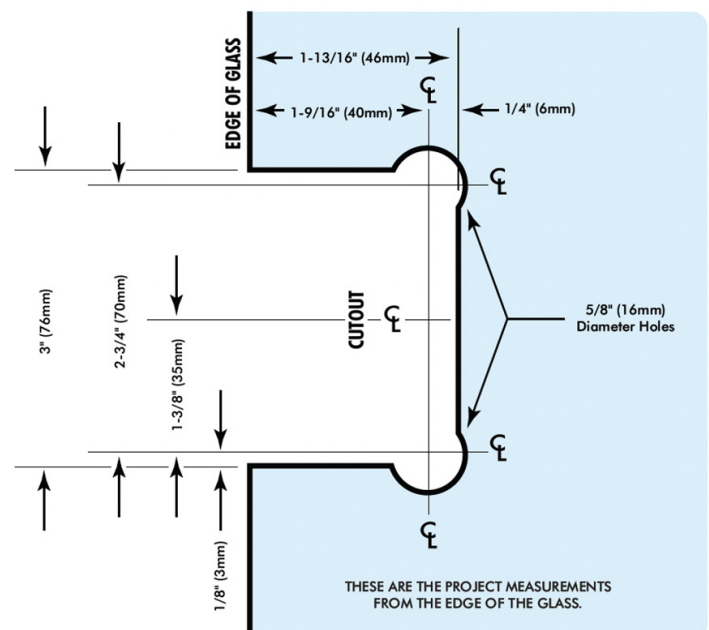
- CH - Chrome
- DA - Dark Anodized Oil Rubbed Bronze
- GO - Gold (Brass)
- MB - Matte Black
- NI - Brushed Nickel
- PN - Polish Nickel
- RO - Roman Bronze

NOTES:

- Do not use power tools when installing hinges on glass.
- For use only with tempered 3/8" to 1/2" glass.
- Do not use spray lubricant on hinges.
- Never use abrasive cleaners on hardware as they may damage the finish.

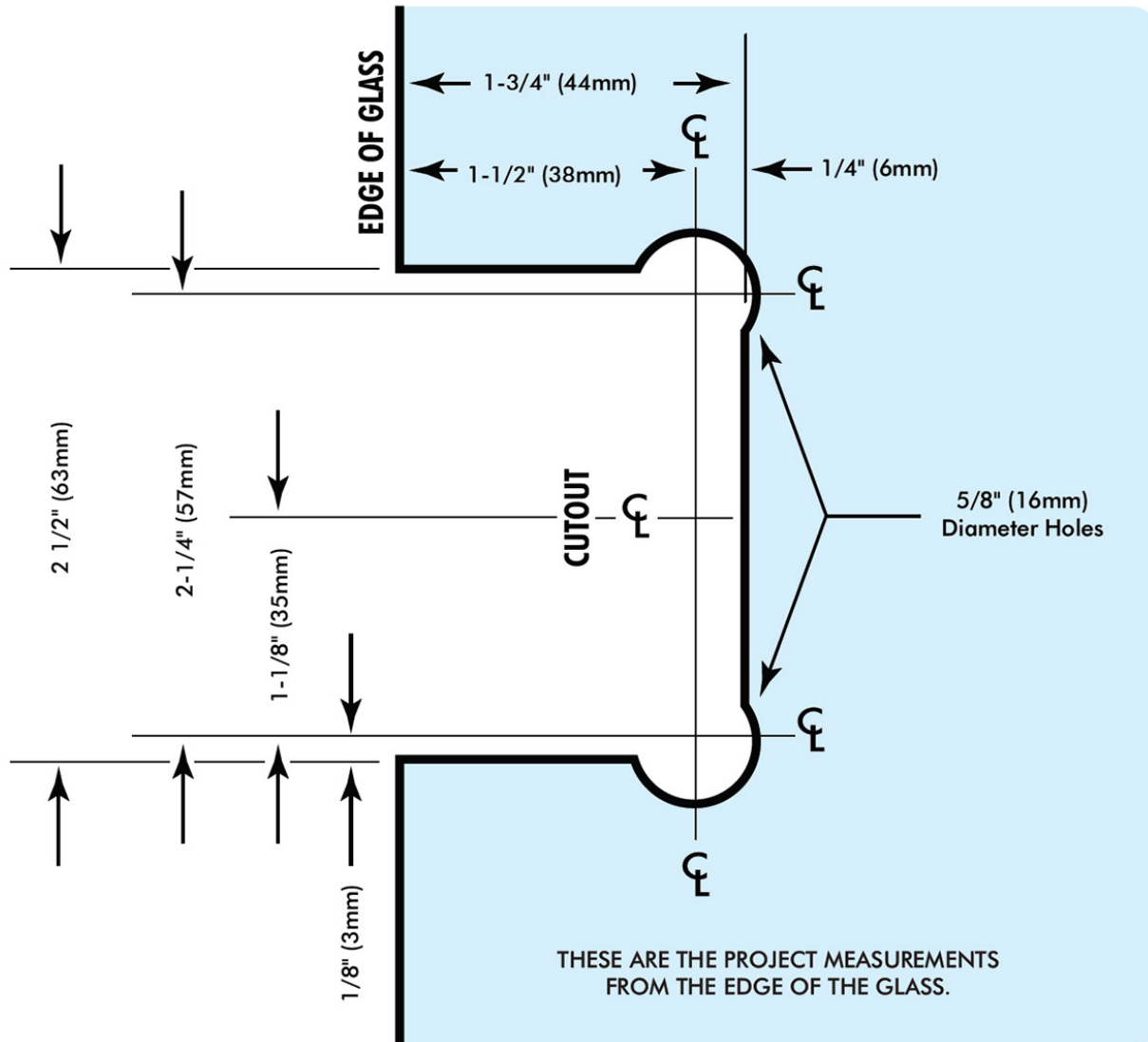


"MOUSE EAR" Option



DRAWINGS NOT TO SCALE

"MOUSE EAR" Option



DRAWINGS NOT TO SCALE